



Installation & Training Guide

Dog Guard Out-Of-Sight Fencing

Installation and Training Guide

Table of Contents

Installation Guide

A Message from Dog Guard	i
Assessing the Yard / Placing Transmitter	1
Equipment	2
Transmitter Installation	3
Procedure for Mounting the Transmitter	4
Grounding the Transmitter	5
Installation of Twisted Pair	7
Wire Loop	9
Direct Burial Splice	13
DG9000 Receiver Collar	14
Assembly of DG9000 Receiver	15
Remote Strips	16
Shunts	17
Adjusting the System	18
Double Checking the System	19
Troubleshooting Tips	20
Helpful Hints for Maintaining Your Dog Guard System	25

Training Guide

Training Guidelines	27
Equipment Information	28
Training	29
Troubleshooting	32
Taking Your Dog for a Walk: 3 Proven Methods	34
Your Dog Guard Fence	35



DOG GUARD[®]
OUT OF SIGHT FENCING

The Keenan Building- 258 Broadway, Troy, NY 12180
(518) 687-0030; fax (518) 687-0037

Dear Pet Owner:

Thank you for purchasing a Dog Guard pet containment system. We hope it brings years of enjoyment and peace of mind for both you and your pet.

In this manual you will find detailed instructions on the entire installation and training process, from assessing your yard and burying the loop wire to helping your pet learn his boundaries on the Dog Guard system. We have even included troubleshooting tips for extra help along the way.

Please note, before beginning installation we recommend consulting your Dog Guard dealer. Often, many of your installation worries can be eliminated with the helpful advice of a professionally trained installer.

As you become familiar with the Dog Guard Fencing system and all it has to offer, you can be confident that we will be behind you every step of the way. In fact, now that you are part of the Dog Guard family, we will be here for you any time you need us.

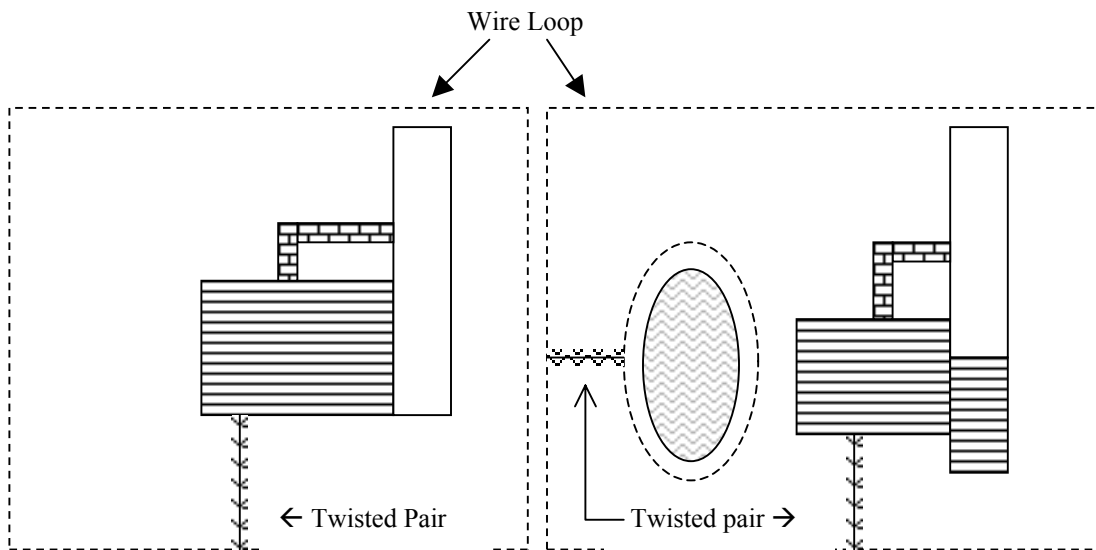
Good luck!



William F. Drew
General Manager

Assessing the Yard

To begin, you must determine where in your yard you want your signal field. This is the area in which your dog's receiver collar is activated by a radio signal from the wire. It extends out 1 – 25 (+) feet on either side of the buried wire. It is important to leave enough room between the house and the signal field for your dog to be able to go around the house without running into the signal field.



Containment Area

Where Will You Place the Transmitter?

Because it is not weatherproof, the transmitter should be placed indoors. Most people find that the garage or basement works best. Be sure to locate it within 6 feet of the 110V electrical outlet into which it will be plugged. Placement must be at least 10' from any piping, electrical panel boxes, telephone or TV cable lines.

Try to place the transmitter on the side of the house closest to the wire loop. A twisted pair of wires that emits no signal must be run from the transmitter to the wire loop. Remember, the shorter the distance from your transmitter to the loop wire, the better.

Equipment

Your installation will be most successful if you use the following tools:

Wire

- **14 gauge Type USE or Type UF underground rated wire.** This wire provides lifetime durability, resists breakdown and is waterproof.

To Bury Wire

- Gas-powered edger/trimmer or lawn edger
- Flat shovel or ice chopper

To Splice Wire

- Wire splicer or stripper, wire cutters, and splice kit

To Lay Wire Across Gravel Driveways

- Rake (to rake away stones) and shovel (to dig across driveways)
- Old piece of garden hose for wire laid across driveway

To Install Transmitter (mount it on wall, etc.)

- Phillips screwdriver and straight-edge screw driver
- Staple gun (to staple twisted pair wires to walls, etc.) * Careful not to put staple through wire!
- 3/8" drill bit (to take wire outdoors-through a door frame, window frame, etc.)
- Hammerdrill with 3/8" masonry bit (to go through concrete to bring the twisted pair from the transmitter to the wire loop)
- Silicone to seal holes (available in tube from hardware store)

To Assemble and Adjust Receiver Collar

- Crescent wrench or small pair of pliers (to tighten probes onto receiver collar)
- Non-permanent Loctite thread locker (used to prevent probes from backing off)

Transmitter Installation

The first step in installing the Dog Guard system is putting the transmitter in place. We recommend installing the transmitter in either the garage or the basement.

- When laying your twisted pair wire, try to make the distance from the transmitter to the loop wire as short as possible to cut down on line resistance.
- The INDICATOR LIGHTS on the transmitter should be easily visible from a distance so that you can quickly see if the unit is operational.
- The GREEN LIGHT lets you know that the unit is on.
- The YELLOW FAULT LIGHT will come on if there is an internal problem with the transmitter board, i.e.: a lightning hit or power surge.
- The RED LOOP LIGHT indicates that the wire loop is intact.
- Place the transmitter within 6 feet of a 110V electrical outlet.
- The transmitter should be installed at least 10 feet from any existing piping.



Dog Guard's state-of-the-art transmitter

Procedure for Mounting the Transmitter

Dog Guard's transmitter offers the following mounting options:

OPTION 1 - Mounting Tabs

1. Depending on the surface that you mount your Transmitter on, you will need that type of screw and/or anchors to hold it in place.
2. Once determined, use two screws to mount the Transmitter to your surface.

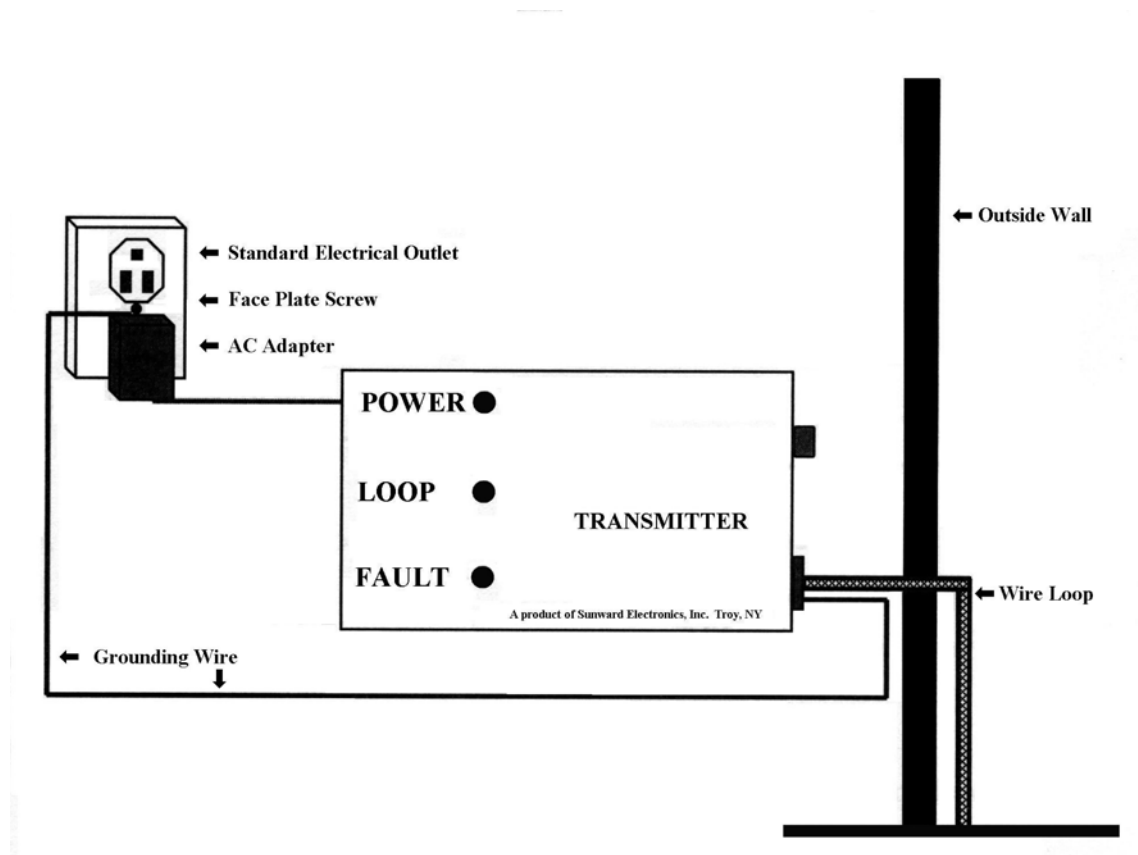
OPTION 2 - Velcro

1. To secure the transmitter to the wall, place Velcro strips with adhesive backings on both transmitter and wall.

Grounding the Transmitter

An essential step in the installation process, grounding the transmitter **protects the unit against electrical surges and lightning**. If possible, locate the transmitter near an existing grounding device and run a wire to this from the transmitter. For example, use a spade or lug to attach the ground wire to the outlet faceplate screw. (See illustration below).

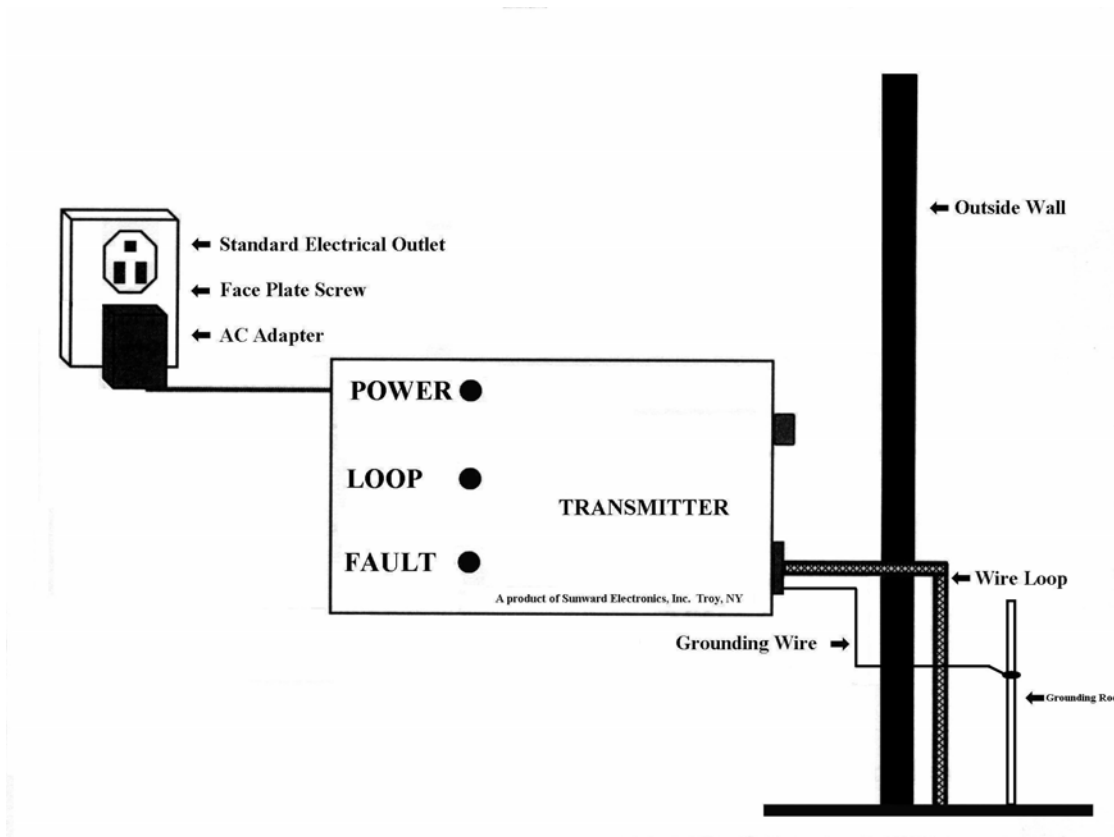
House Grounding Procedure



If the outlet is not grounded you must put an 8' x 1/2" copper grounding rod in the ground and run a wire to it from the transmitter (see illustration on next page).

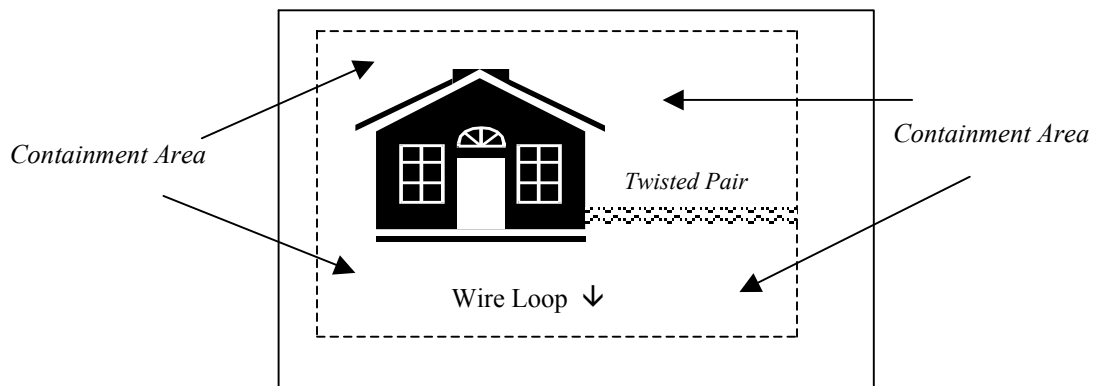
Dog Guard units that are not grounded **void the terms of the warranty**.

Grounding to a Ground Rod



Installation of Twisted Pair

When you run your loop wire, you will cross-areas where you do not want a signal emitted. To prevent signal emission in these areas, you will twist your wire. This **twisted pair** will carry but not emit the signal.



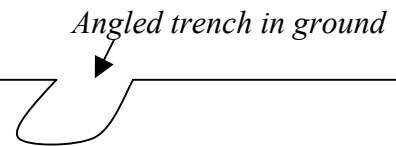
1. Measure the distance of the route the wire must travel from the transmitter to the outside loop wire.
2. Cut a length of wire approximately 3 to 4 feet longer than the length of this route from the transmitter to the wire loop.
3. Unroll and cut a second equal length of wire. Have someone hold ends of each wire or tie as a pair to a stationary object. As you back up from this point, twist the wires together by hand, or use a hand held drill to twist them together (10 twists per foot).
4. Hook up the pair to the transmitter. Strip approx. 1/2" from the end of each of the wires. Open ports for the wire labeled loop with a small screwdriver. Insert the wires making sure that there are no frays. Close ports onto wires with the screwdriver

5. Run twisted pair from transmitter to point where you exit outside to meet loop.

- To secure it in position, staple the twisted pair along base of inside wall.
- Decide where you'll drill a hole to run the twisted pair to the outside. Drill the hole with 3/8" bit and run the wire through this hole.
- After the wire is through this hole, fill the hole with silicone sealant.

6. Bury twisted pair in a straight line from the house to where it will meet loop.

- Cut an angled trench at least 3" deep.

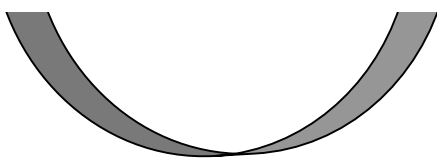


- Lay the twisted pair in the trench.
- Stamp ground to close the trench.
- Leave ends of twisted pair exposed to splice to the wire loop.

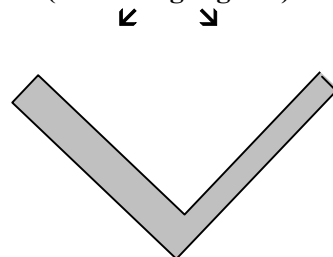
Wire Loop

1. Identify the route that the loop wire will take around your property.
 2. Splice a single wire to one of the wires of the twisted pair.
 3. Run this wire around the property, laying it in a cut you've made in the lawn with the edger, shovel or ice chopper. You do not have to bury the wire loop. If you prefer, you can lay it on the ground or attach it to a fence. Make sure the wire is protected from harmful elements that may damage or break it including high traffic areas.
- The less splices you have, the better!
 - As you roll out the wire, be sure not to pull up already buried wire. One way to prevent this is to have someone stand at the last spot where the wire is buried, or put something heavy on this spot. **HINT:** To help roll out the wire, put a screwdriver or a wooden dowel through the hole of the wire spool. Use this as a handle as you roll out the spool.
 - Avoid making angled corners as you lay the wire around your property. In sharp corners the signals emitted from the wire will cross over each other. To prevent this, bends should be rounded (see illustrations below).

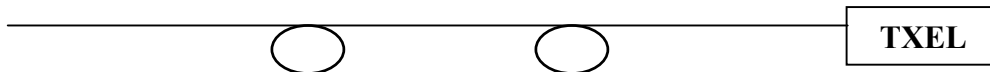
Round Corner



**Square Corner
(Confusing Signals)**



- To prevent lightning from taking out your transmitter board, you should tie two 4” loops in your twisted pair. These loops can be buried underground where you exit the house. Before connecting your twisted pair to the transmitter, tie these loops as if you’re tying a knot (**as shown below**). These will produce a magnetic field when the lightning passes in between itself, thus causing it to dissipate. Combined with Dog Guard’s built-in surge protection, the reduction in voltage should keep the lightning from blowing out the transmitter board.



4. To cross driveways: Because cars and other heavy traffic cross here, install the wire with extra care across driveways.

For gravel driveways:

- Rake away stones to clear a straight line along which you’ll lay wire.
- Dig a trench across the driveway between 3 – 4” deep.
- Roll out the wire across the driveway. Use an old garden hose or other nonmetallic tubing to run the wire through.
- Lay this protected section of wire in the driveway trench.
- Fill the trench and re-cover with gravel.
- Continue to lay and bury the wire around the house.

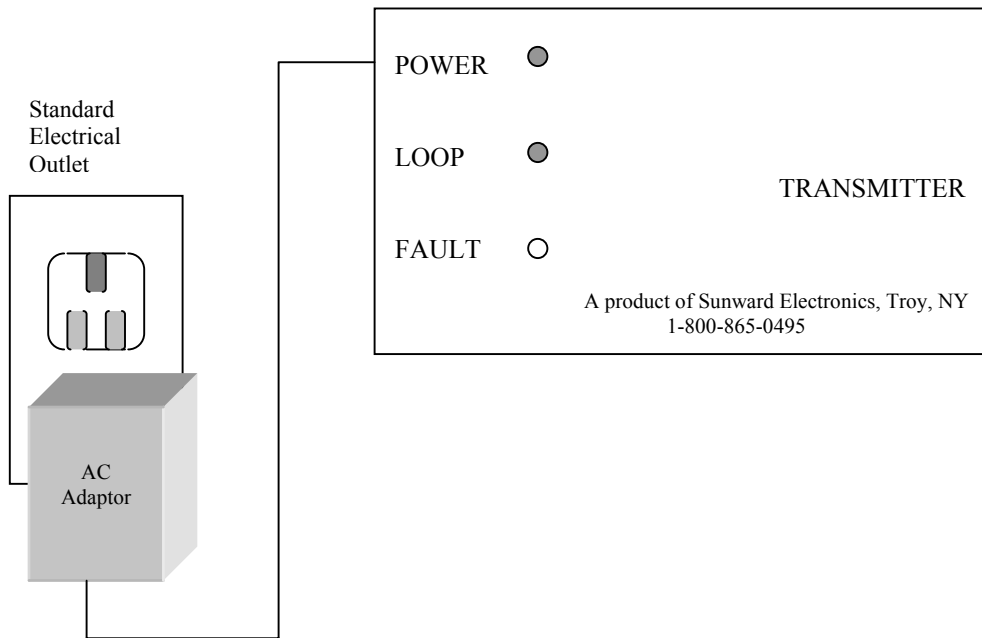
For paved driveways:

- When cutting across a paved driveway, use some sort of mark or guide. Ex: Chalk
- Cut across driveways with a circular saw that has a masonry blade attached. Sweep away debris.



- At the near side of the driveway, wrap the wire around a wooden peg and pound it completely into the ground.
 - Place the wire in the cut across the driveway.
 - At the far end of the driveway, again wrap wire around a wooden peg and pound the peg into the ground. This will ensure that the wire is taut and secure across the driveway.
 - Cover the cut in the driveway with driveway sealer.
 - Continue to bury the wire around the house.
5. For wooded areas or other areas where burying the wire is difficult, place the wire on the ground. Stake wire every 15–20' and at bends to hold stationary.
 6. For water-covered areas (streams, etc.) lay the wire across the bottom surface. Secure the wire with heavy objects. Ex: Bricks

7. After completing the wire loop around the desired area, splice the end of the wire to the remaining wire of the twisted pair.
8. Check all splices and then connect the AC adaptor to the transmitter and plug into the 110V outlet. Turn the system on. The **RED** loop indicator light and **GREEN** power light should go on. If the **RED** light does not go on, your wire is not connected somewhere.



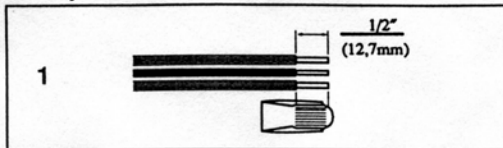
Direct Burial Splice

In order to maintain the quality of the RF signal over a period of time, it is best to use a Direct Burial Splice at all joints. We recommend using 3M part #80-6105-9437-8 as shown in the diagram below. These kits are available from your Dog Guard Dealer and are completely waterproof.

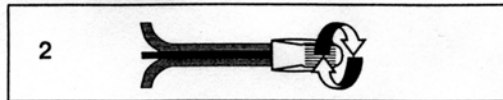
Instructions for Use

Caution: Turn off power before installing or removing connector. All electrical work should be done according to appropriate electrical codes.

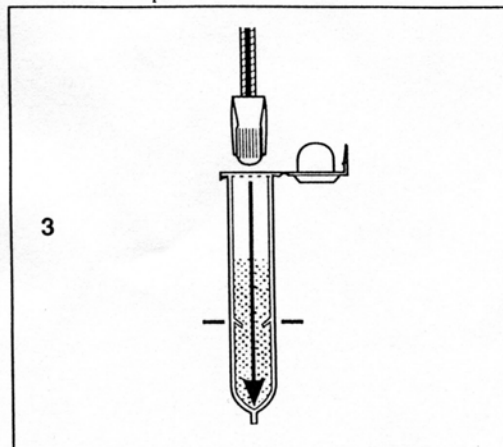
1. Strip wires 1/2" (12,7 mm)



2. Apply the Scotchlok™ Electrical Spring Connector and twist in a clockwise direction.

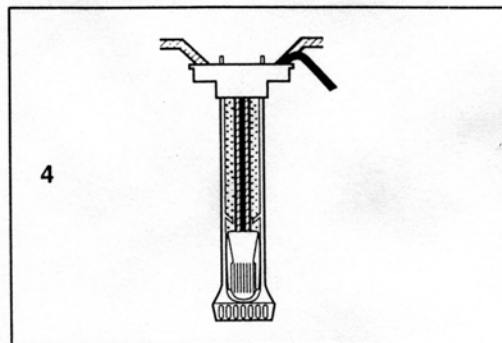


3. Insert the splice into the gel-filled insulator tube. Push past the locking fingers to hold the Scotchlok™ connector in place.



Voltage: 30 Volts Maximum

4. Position wires in wire channels and snap insulator tube cover closed.



Wire

Common AWG wire combinations (copper wire only, solid or stranded).

2-3 #16	2 #18 to 1-2 #14
2-3 #14	1 #18 to 1-3 #12
2 #12	1 #16 to 1-2 #12
1 #14 to 1 #12	

Do Not Store Above 120°F (49°C).

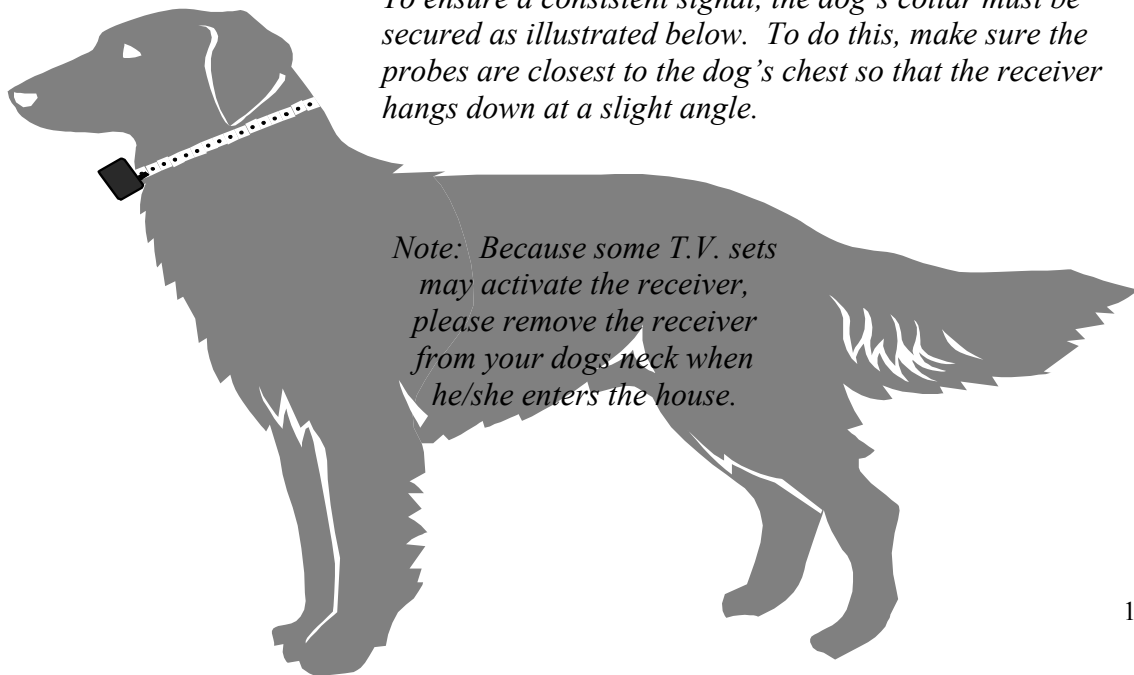
Non U.V. stable.

Dog Guard Receiver Collars – DG9000, DG5000 & DG3000

The receiver must be placed on the outside of your dog's collar so that it is situated horizontally under his neck. To do this, follow the steps below:

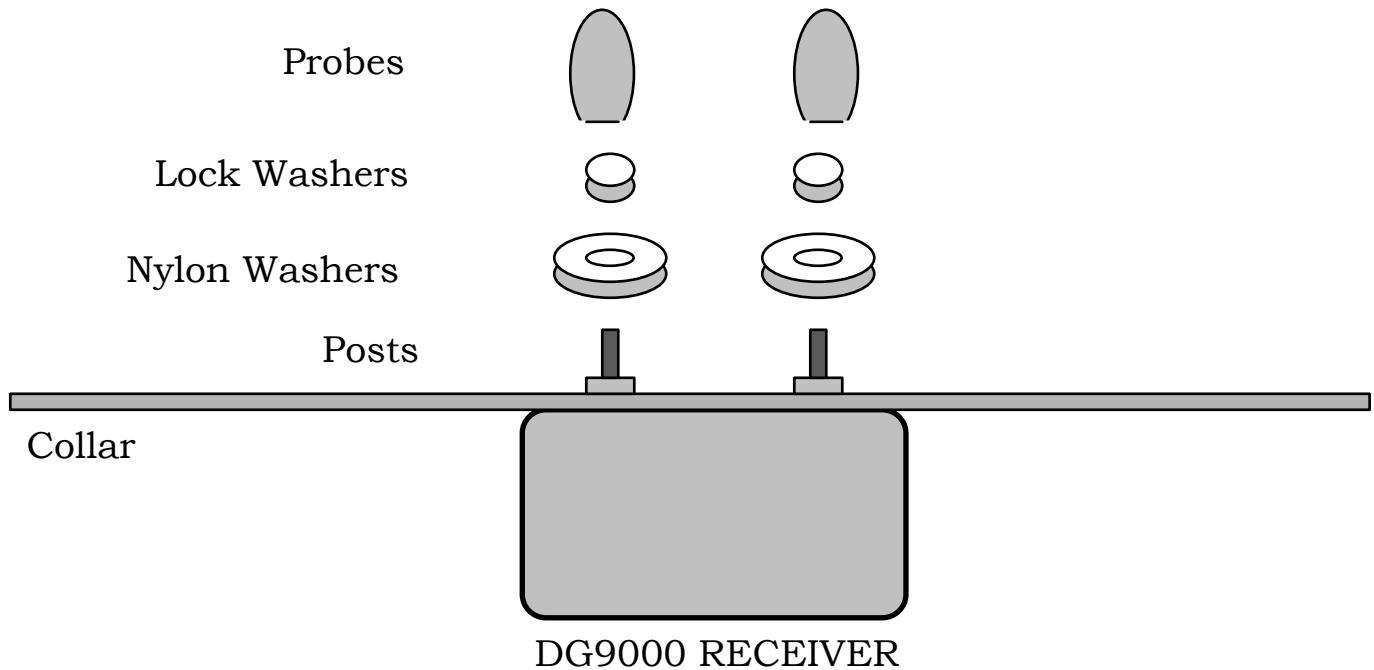
1. Fit the nylon collar to your dog's neck.
2. If using your dog's existing collar, take it off your dog's neck and buckle it through the same hole it was buckled through when it was on your dog.
3. Hold the buckled strap by the buckle so that it hangs vertically. When the receiver is attached to the strap it will hang under your dog's neck, directly opposite the buckle.
4. Lay the receiver along the collar so that the two threaded projections match the collar holes for the receiver and probes. * For assembly instructions see pg. 15.
5. Make sure the probes protrude on the inside of the collar so they touch your dog's neck. Use large probes for longhaired dogs and small probes for shorthaired dogs. Check your probes periodically to make sure they are tight if you are not using thread locker

To ensure a consistent signal, the dog's collar must be secured as illustrated below. To do this, make sure the probes are closest to the dog's chest so that the receiver hangs down at a slight angle.



Note: Because some T.V. sets may activate the receiver, please remove the receiver from your dogs neck when he/she enters the house.

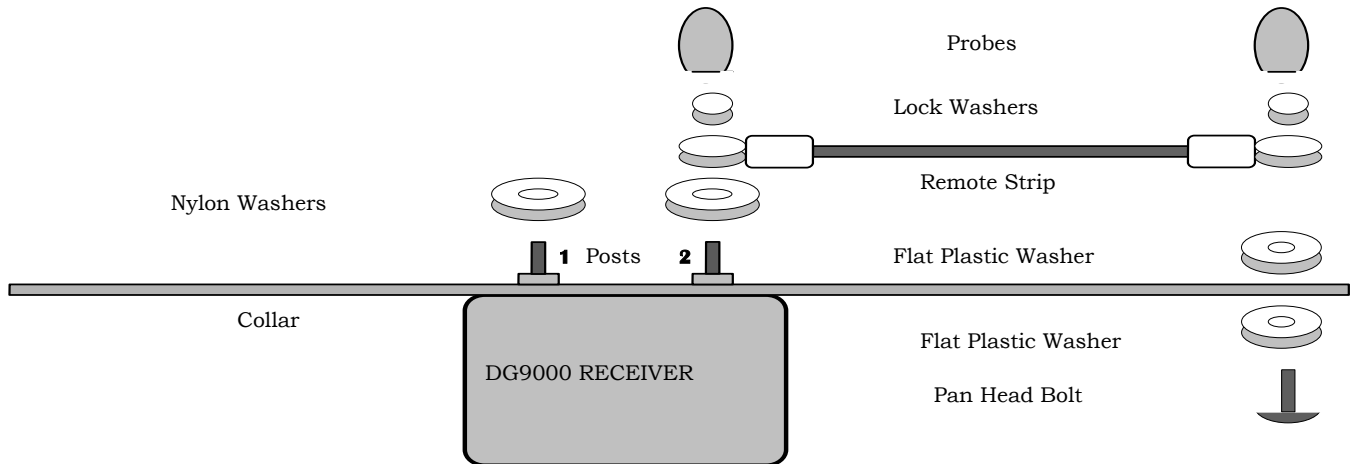
Assembly of DG9000 / DG5000 / DG3000 Receiver



1. Place collar on receiver over contact posts. Place nylon washers on each post.
 2. Place lock washers on over nylon washers.
 3. Put "Loctite" (blue, non-permanent) on posts, or inside probe.
 4. Screw on probes. **Do not over-tighten!** Snug with wrench.
- When putting battery in receiver, the "+" sign faces toward you.
 - DO NOT let your dog wear the collar until the system has been adjusted and you are at the appropriate point in training.
 - The collar will beep whenever it is in the signal field while field is on.
 - ALWAYS remove your dog's receiver collar BEFORE your dog comes indoors. This is to avoid unintended signal interference with receiver.
 - The receiver battery compartment is NOT WATERTIGHT. In order to comply with your warranty, there must be an O-ring on the battery cap at all times.

Remote Strips – Keeping the *Tough Pups* in

For tough-to-train dogs, or dogs who challenge the system, you may need to add remote strips to the collar. These thin cable wires increase the area of correction around your dog's neck, but do not increase the amount of correction.



1. Place collar on receiver over contact posts.
2. Place nylon washer on over each post.
3. Place remote strip over post #2, flat side down.
4. Put lock washer on post #2.
5. Put Loctite (blue, non-permanent) on post, or inside probe. Screw on probe.
6. At the other end of the strip, bend the collar slightly so that the remote strip fits properly on the collar. Burn in hole.
7. Place flat plastic washer on pan head bolt. Insert bolt into hole in collar.
8. Place flat plastic washer over pan head bolt.
9. Place remote strip over pan head bolt. Put lock washer on.
10. Put “Loctite” (blue, non-permanent) on post, or inside probe. Screw on probe. Do not over-tighten! Snug with wrench.
11. Repeat steps 3 - 11 for other side.

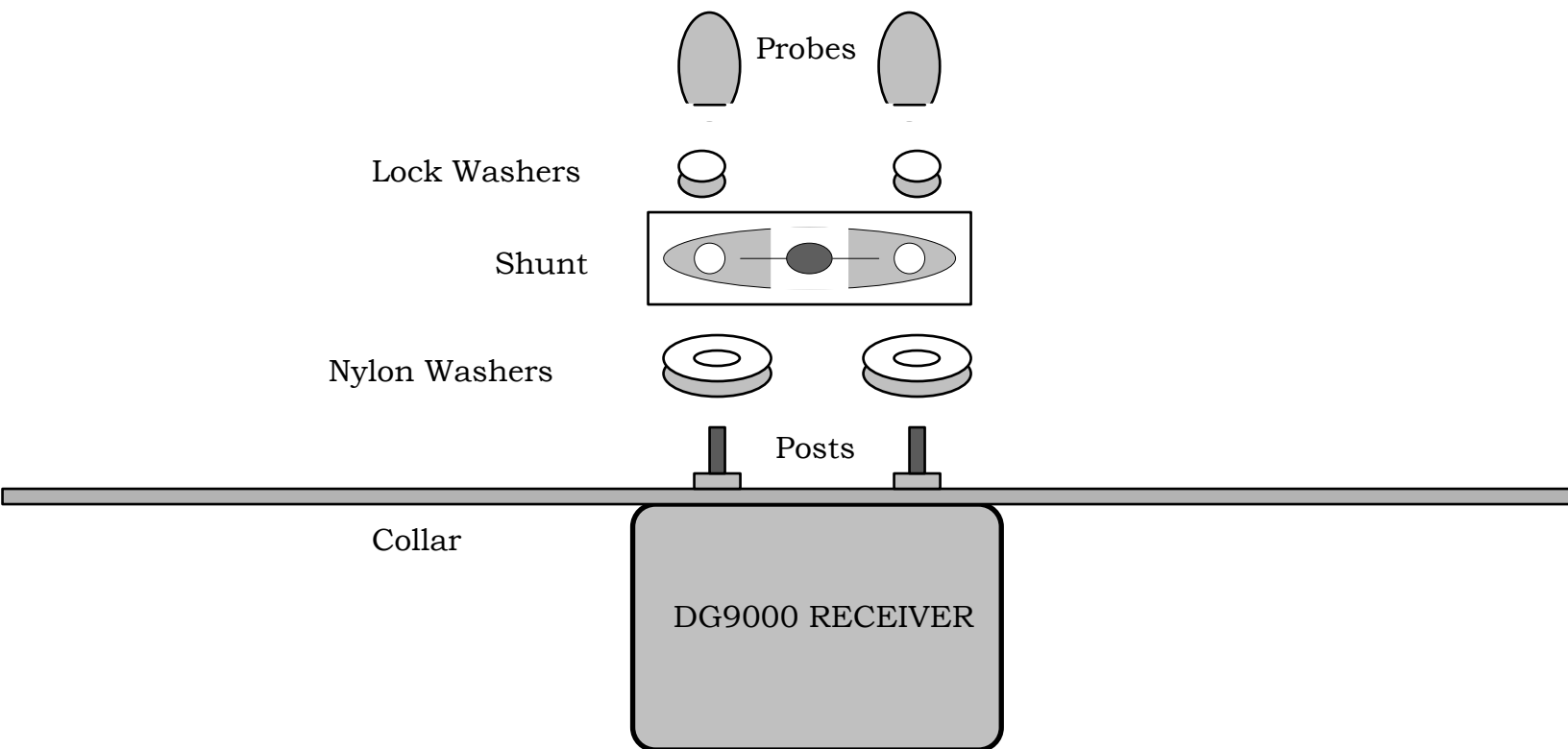
Shunts – Keeping the *Timid Pups* happy

If you feel your dog is receiving too strong of a correction, you can add a shunt to the receiver that will decrease the amount of pulsation. This small device fits over the receiver's contact posts and come in multiple correction strengths. The shunts reduce the correction level to the value of the shunt. For instance, a 5k shunt reduces the correction to 5000 volts. Shunts available are:

DG9000 Receiver – 1k, 2k, 4k, 5k

DG5000 Receiver – 1k, 3k

DG3000 Receiver – 1k, 2k



1. Place collar on receiver over contact posts.
2. Place nylon washer on each post.
3. Put shunt on over nylon washers, flat side down.
4. Place one lock washer on each post.
5. Put "Loctite" (blue, non-permanent only) on post, or inside probe.
6. Screw on probes. Do not over-tighten! Snug with wrench.

Adjusting the System

1. **NEVER TEST OR ADJUST the Dog Guard system while your dog is WEARING the receiver collar.**
2. After the system is turned on and ready for use (GREEN power and RED loop light on), take the receiver collar by the buckle, holding it as if the dog were wearing it, and walk toward the loop.
3. Consider the approximate distance from the loop to where the collar goes off at the signal field.
4. Adjust the signal field to about 4 – 10 feet from the wire, depending on where you want the signal to end. While a passive dog will only require a short field of 4' – 6' for correction, a more aggressive dog who challenges the system may require a larger field of 8 – 15' (or larger).
 - If the edge of the signal field is too close to the wire, increase the field with the **RANGE** knob. To do so, you will need a small screwdriver. Counterclockwise rotation will result in a decrease of the signal field and Clockwise rotation will result in a increase of the signal field.
 - The **RANGE** knob is highly sensitive. A small adjustment of the knob will produce a large effect in the signal distance.
5. Place flags every 5 – 10 feet along the edge of the signal field. Mark the corners with extra flags. Be certain that the flags are right on the edge of the signal field. This is a temporary visual boundary that will help in the training of your dog. If flags are challenged, correction will occur. Once trained, flags can be removed.

Double Checking the System & Future Troubleshooting

1. The **GREEN** power light should be on when the transmitter is plugged in.
2. The **RED** indicator light is on when the loop wire is intact. If the **RED** light is off, but the **GREEN** light is on, check for places where the wire loop might be interrupted. Here are some things you can check if this occurs:
 - Are the twisted pair ends of the wire correctly attached to the transmitter?
 - Has any buried wire been exposed or damaged due to root or rodent damage?
 - Are the direct burial splices properly connected?
3. Leave the power switch on unless the transmitter is not going to be used for an extended period, or you are experiencing a thunderstorm.
4. The battery in the receiver should be placed (+) side up.
5. The **YELLOW** fault light will come on if the transmitter is damaged by lightning or power surges, or if an internal part fails.
6. Has the ground wire been connected from the transmitter to the outlet plate or grounding rod?



The Dog Guard System – DG9000 and Transmitter “You can’t see a better way to protect your pet!”

Troubleshooting Tips

If you experience problems with your Dog Guard equipment, there are several things you can check to determine the nature of the problem. If, after reviewing the following areas, you still can not determine the problem, please contact your Dog Guard dealer.

Check Your Lights!

- If the **GREEN** light is off, your unit does not have power. This problem can easily be fixed by making sure your AC adaptor is plugged into the wall outlet and the on/off switch is in the **ON** position.
- If the unit receives a **lightning strike**, the **YELLOW** light will come on sometimes, simultaneously with an **audible alarm** depending on the extent of damage to the unit. At this time, please contact your Dog Guard dealer.
- If the **RED** light is not on, and the alarm is going off, there is a **break in the wire loop**. To locate and repair wire breaks, follow the procedures below:

Verifying a wire break

Step 1 Loosen the two center screws where the twisted pair connects to the transmitter. Insert one leg of a choke coil (10uH, RF, 1.5 amps; can be purchased at Radio Shack, part #273-102B) under each screw and tighten. If the RED light reappears, proceed to step 2.

If the RED light does NOT reappear, please contact your Dog Guard dealer.

Locating a wire break

- Step 2 Stand next to the transmitter. Set the dial of a portable AM radio to the bottom of the AM band (560). Set the dial just off the station so that you can clearly hear static. If there is no evidence of digging, start at the point on the perimeter where the twisted pair divides into a single loop wire.
- Step 3 Hold the radio directly above and parallel to the wire. You will hear the static. As you move the radio slightly to the left or right, you will be able to track the route of the wire by listening to the static. As long as the static remains fairly constant, you know that the wire is intact below.
- Step 4 As you approach the area of the break, the static will become very faint. Stop. Dig up the loop wire. Tug firmly on the wire. One end of the break should appear. Lay the excess wire straight out on the ground and dig to where it ends. Once you have the other end of the break you can proceed to fix the break.

Finding a break in the twisted pair wire

- Unlike the loop wire, when the twisted pair is broken, it will generate a signal. Stand at the transmitter. As before, set the dial of a portable AM radio to the bottom of the AM band, just off the station, so that you can clearly hear static.
- Start at the point where the twisted wire leaves the transmitter. Hold the radio directly above and parallel to the wire. If the wire is broken, there will be a signal or static, due to the fact that the cancellation of the signal no longer exists. Follow the wire out to the point where the twisted wire divides into a signal loop wire.

- As you approach the area of the break, the static will become stronger. Stop. Dig up the twisted pair and tug firmly on the wire. If the twisted pair is broken completely, one end of the break should appear.
- If you're unsuccessful in finding the break with the radio method, walk out to the middle of the twisted pair. Dig it up and cut the twisted pair. Splice the ends of the pair that are closest to the house. If the RED light comes ON, there is no break in the wire from the point where you made the cut to the transmitter. If the RED light is NOT lit, the break is between your cut and the transmitter. Reconnect the twisted pair (brown to brown; black to black).
- Repeat this procedure until you've isolated the break in the twisted pair wire.

Fixing the break

- Step 1 To make sure no moisture has gotten into the wire, cut 12" off each side of the break.
- Step 2 Cut a length of wire 8 – 10" longer than the pieces you just removed. You will be splicing this piece to the two remaining ends.
- Step 3 To use a DBY Direct Bury Splice, strip about $\frac{1}{2}$ - $\frac{3}{4}$ " from the end of each wire. Twist the ends firmly into a wire nut. Insert the wire nut firmly into the bottom of the splicing gel, feed the wires through the separate sides of the tube and snap the tube closed.
- Step 4 Bury the splice. If the splice can't be buried, twist the ends of wire firmly into a wire nut. Seal all openings with sealant.

After fixing each break, walk back to the transmitter and remove the choke. If the RED light stays on, the system is working. If it is still off, reattach the choke and return to the point where you made the repair. From this point, continue to track the wire until you have located and repaired any additional breaks. Finally, readjust the signal field.

The steps above apply for every break that you encounter. If you suspect that a length of wire is cut in several places, it may be faster to replace the entire piece than to splice. The most prevalent cause of nicks and cuts in the wire is lawn aeration. However, cuts and nicks may also occur in an extension loop where an edger or deep planting cut the loop wire.

Lightning damage

Dog Guard's transmitter comes equipped with enhanced lightning protection, designed to arrest any static electrical charges received. This protection will temporarily shut down the system to prevent permanent damage to the transmitter.

Of course, there will be times when lightning damage is inevitable. In fact, lightning hits, even those that don't directly strike the affected property, can cause power surges that will damage electronic equipment. If your alarm and fault light are both activated, your system has probably received lightning damage. It is important to contact your Dog Guard dealer as soon as possible.

Troubleshooting your Dog Guard receiver

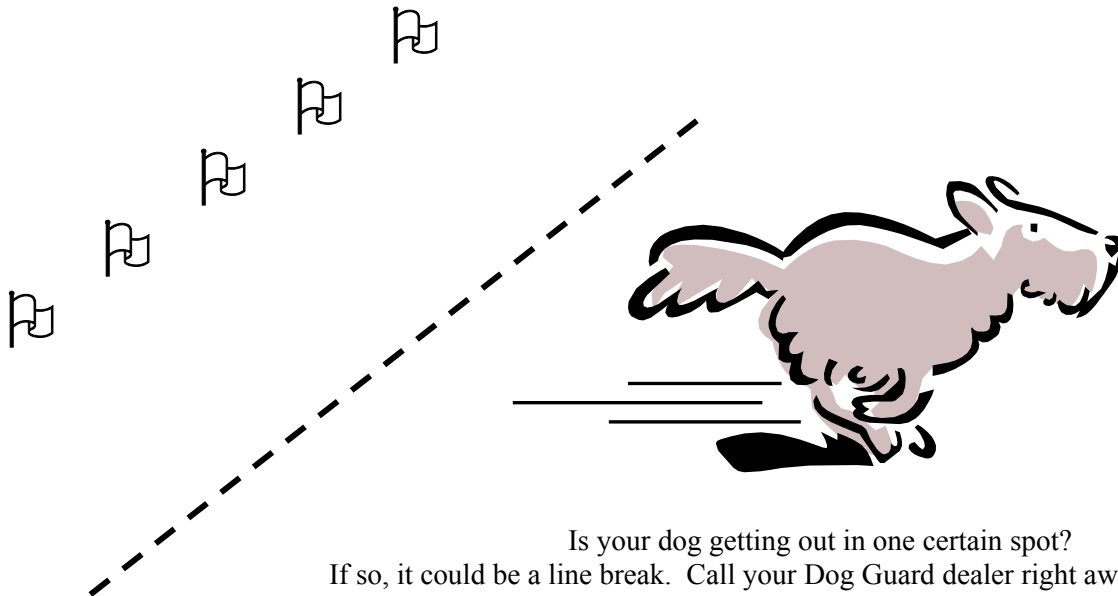
- Make sure you have a working battery that is inserted properly (“+” side out).
- Make a visual inspection. Be sure there is no corrosion or residue on the receiver spring or battery cap.
- Be sure the O-ring is intact.
- Check your probes to make sure they are snug.

Installing a new battery

Often, your receiver problem is nothing more than a dead battery. Simply unscrew the battery cap with a screwdriver, insert a new battery with the positive side (+) up, and screw the battery cap back on.

If everything appears to be working, but your receiver is NOT!

If the proper lights are on and the receiver is still not working, or you find that the dog is getting out in a certain spot, contact your Dog Guard dealer.



Is your dog getting out in one certain spot?
If so, it could be a line break. Call your Dog Guard dealer right away!

Helpful Hints for Maintaining Your Dog Guard System

1. **Dog Guard receivers run on a 6.2-volt silver oxide battery that should be replaced every four months.** Ask your Dog Guard dealer about joining Dog Guard's convenient battery plan.
2. **Check the probes on your receiver periodically.** As the collar compresses, the probes could loosen. Use a small wrench to check for tightness, but **DO NOT OVER-TIGHTEN!** A snug fit is best. To prevent probes from falling off, use a thread locker. Probes that fall off the collar are not covered under warranty.
3. **Leave the system on at all times, except when not in use for an extended period of time, or during a lightning storm.** During lightning storms, unplug the system and bring your dog to a safe place.
4. **Never service the Dog Guard receiver or transmitter yourself, except to replace the battery.** If you have any questions, or need service, please contact your authorized Dog Guard dealer. If you purchased your system directly from the manufacturer, please call **toll-free 1-800-865-0495.**
5. **The Dog Guard transmitter and receiver are sensitive electronic instruments.** They should be kept out of the reach of children. The Dog Guard warranty does not apply to Dog Guard equipment that is misused. Please refer to the Dog Guard warranty card for more information.

Training Your Pet on the Dog Guard System

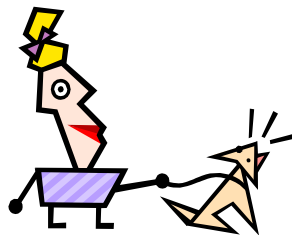
Now that your Dog Guard fence has been installed, it is time to train your pet to safely use the system. Before beginning training, please contact your Dog Guard dealer.

Training Guidelines

The following information is designed to help you and your pet get the most out of your Dog Guard Fence system. Remember, your Dog Guard dealer is only a phone call away to answer any questions about your Dog Guard equipment or training.

Please refer to the following guidelines before beginning the training process:

1. For the first seven days your pet **CANNOT** go outside unless it is on a leash (or secured in some fashion) at all times.
2. For the first seven days, your pet **MUST** be kept from its boundaries at all times except during the training process.
3. For the first week the training process should be done up to, but not more than 15 minutes per day. The amount of time spent training will depend on the age, size, and attention span of your dog, as well as the size of your yard.
4. Make sure your pet receives the electronic correction **NO MORE THAN THREE TIMES** per day.
5. Allow the pet as few distractions as possible during the first few days of the initial week of training (from people, other animals, school buses, etc.).
6. After seven days of training, your pet may go outside off-leash only when supervised by a person able to handle the pet in a safe, secure manner, and if there are no training problems.
7. If you are training more than one pet, train each pet separately and alone.



A pet that meets the following criteria will experience success:

- For pets using the DG9000 & DG5000: 6 MONTHS of age or older, or **at least** 10 lb.
- For pets using the DG3000: 6 MONTHS of age or older, or 10 lb. and **under**.
- Able to understand and obey commands: SIT, STAY, COME, and NO.
- Able to walk on a leash.

Equipment Information

Before you begin training your pet, it is important to review how your Dog Guard equipment functions.

TRANSMITTER

- The GREEN LIGHT on the transmitter indicates power.
- The RED LIGHT on the transmitter indicates a complete, intact wire loop.
- The YELLOW LIGHT on the transmitter indicates an internal problem with the transmitter board, i.e.: a lightning hit or power surge.
- The RANGE KNOB on the transmitter should be set to the desired distance and left alone. This knob works to increase or decrease the signal field from the wire, and has no effect on the strength of the correction from the receiver collar.
- In most cases, the SIGNAL FIELD should be set 5 - 8 feet from the wire.
- The transmitter has LIGHTNING & SURGE PROTECTION built in.
- The transmitter has a LIFETIME guarantee against LIGHTNING damage.

RECEIVER

- The RECEIVER COLLAR should fit your pet's neck snugly, allowing the probes to make contact with the skin. If your pet's coat is too heavy or thick, clip away hair on the neck to allow the receiver probes to fit properly. Use a petroleum-based lubricant on the contact area initially.
- The BATTERIES are to be changed every 4 months using a DG battery, available through the DG battery plan or your DG dealer.
- Batteries are put in the receiver battery chamber with the positive side facing out.
- There is a 2-YEAR WARRANTY on the receiver collar.
- An OPTIONAL LIFETIME GUARANTEE on the receiver is available for a fee.

Training

Day 1:

Your goal on this first day of training is to help your pet understand that he should not be near the flags in his yard. This introduction to his new system should be brief, lasting only until he seems to grasp the flag concept.

Introduction Phase

1. Put your pet on a leash (without receiver collar). Play with and praise your pet.
2. Approach the training flags while maintaining eye contact with your pet. Stop him at the flag and firmly say NO. Next, bring your pet into the safe space (yard) and praise.
3. Continue step 2 at every third or fourth flag, while going around the yard's entire perimeter. Note and praise any "avoidance" actions, such as looking away from trainer and flags, unwillingness to move toward flags, etc.
4. Be sure flags are set properly, using your receiver collar to check signal accuracy.

Notes:

- DO NOT pull your pet into the boundary. DO pull him to within 5-6 feet of the flags.
- To help some pets understand that they should stop AT the flag, you may have to stop two or three feet AHEAD of the flag.
- During training without the fence collar, NEVER let your pet cross or get within 1-2 feet of the flags. Your pet must understand that he will never be able to get to the flags without a correction.

Correction Phase

1. Place the receiver collar snugly on your pet and allow him to move into (not through) the signal field at a flag. While watching him for an appropriate response, allow your pet to experience a first correction. Next, pull him quickly into the safe space and praise him. Continue flag training, allowing **NO MORE THAN 3 corrections** per training session at the flags, and only if your pet disregards the flags and warnings.
2. After each training session, play with and praise your pet.

Notes:

- If your pet stays within its boundary:
 - a) Praise your pet verbally for staying inside its boundary.
 - b) Slap the flag 3 times and say NO! with authority.
 - c) Run toward the safe area and PRAISE!
- If your pet crosses its boundary:
 - a) Pull your pet out of the signal field.
 - b) Slap the flag 3 times and say NO! with authority.
 - c) Run toward the safe area and PRAISE!

Days 2 & 3:

Supervision Phase

1. Have collar on prior to taking your pet outside. Begin with steps 3 and 4 as above.
2. Increase the amount of time your pet wears the receiver collar in the house. Take receiver collar off at night.
3. Continue to boundary train, flag train, and perimeter walk your dog. During this first week the dog must be contained at all times while outside (except during training sessions).
4. If he chooses to disregard flags and warnings, **allow** your dog to make a mistake and get a correction.

Days 4 - 7:

Proofing Phase

1. When your pet obviously and consistently avoids the flags, introduce distractions to test his training, making sure he remains in the safe space despite any temptation beyond the flags. This process is called “proofing.”
2. It may be helpful to have a second person perform this part of the training while you remain with your pet. Without calling your pet’s name or saying, “come,” this person should try to entice your pet across its boundaries. This can be done by doing various things of interest to your pet such as throwing a ball or stick across the signal line and then running after it, or simply standing across the signal line.

Be very interesting, but DO NOT make eye contact.

DO NOT let your pet run into and through the signal field. If he looks as if he is about to cross his boundary, firmly tell him NO! and then pull him back. The person across the boundary line should also say NO! and shake a flag.

If you are using treats or toys, do not let your pet have them after getting into the signal field. Give praise when your pet gives the proper response, or when he is going toward the safe area.

Notes:

If, during the “Proofing Phase,” your pet is showing signs that he DOES NOT understand his boundaries, you may allow him to get corrected (as directed in step 4 of Days 2 & 3). However, he may receive **NO MORE THAN 3 corrections** per day.

If, by the end of Week 1, your pet is still entering the signal field, PLEASE CALL YOUR DEALER.

Week 2:

Your pet has now entered the final stage of training. Although this stage takes the least amount of work, **it is critical to STAY COMMITTED.**

1. With your dog off-leash, repeat the training process as performed during Week 1.

Notes:

- If you feel your pet is having trouble avoiding the flags, he may begin the first day or two of Week 2 on-leash.
- Your pet may be allowed off-leash ONLY while someone supervises him in the yard.
- If your pet seems tempted to go beyond the flags, correct him verbally, or, if he is still on-leash, pull him back before he enters the signal field.

Week 3:

Continue as above. Remember to keep flags up for at least 30 days.

Week 4:

At the end of week 4 begin to remove every third flag, every other day, until all flags are gone. Flags in woods or hard to see areas may be left up.

Troubleshooting

Hooray! Your dog has been trained on the Dog Guard Fence. By now he has a basic idea of his new boundaries. Remember that this is all still new to him and even though he understands the concept, it hasn't become an everyday habit yet. Most dogs will make mistakes during their first week on the system. Don't get too concerned! Soon your dog will become comfortable with the boundaries and will adjust to the whole process.

The following instructions may be helpful if you run into problems while training your dog. When working with dogs it is easier to PREVENT problems than to FIX them! So, if you have any questions, always call your Dog Guard dealer!

Problem 1: Home Bodies & Porch Sitters

If you have a dog that doesn't want to go out of the house or is sticking close to the house, be patient. Time is your best friend. The more sensitive your dog is, the longer it will take him to explore the yard. Eventually, your dog **will** use the whole yard.

The main problem with this scenario is that your dog's enthusiasm is very low and his containment is very high. Your job is to get his enthusiasm back up. Here are some tips that will help you work through this challenge:

- Try not to worry about your pet. Picking up on your anxiety may hinder his learning. Again, time and use of the yard without corrections will solve this challenge.
- Do NOT take your dog on a leash near the boundary.
- Do NOT take the Dog Guard receiver collar off the dog. If you do, the entire process will become inconsistent and the dog will become more confused and take even longer to settle in.
- Do NOT let the dog hide in the house. Make him go out even if he sits next to the door all day. The only way he will loosen up is if he is outside to explore.
- Play with your pup in the yard. Kids and other dogs expedite things greatly!
- Use food and water to encourage the dog to go away from the house. Start with small distances first.
- Try and limit the number of corrections your dog gets. Right now your dog is "over contained." Don't play with him near the boundary or do anything to coax him towards the edge. Another correction at this point will only discourage him from using the yard. Because some dogs can't tolerate more than one correction every two days, try and extend the amount of time between corrections.

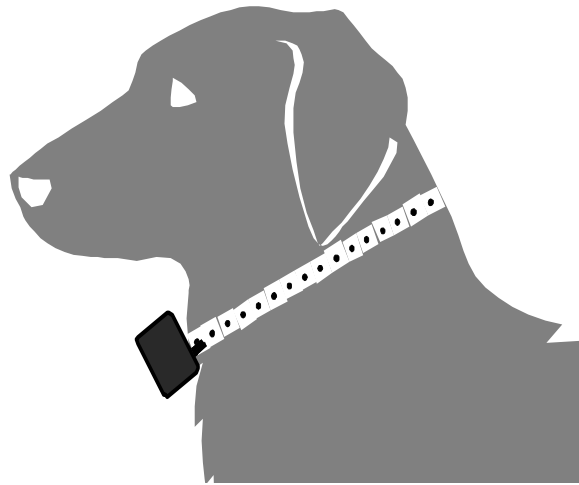
Problem 2: Break Outs

If your dog has run through the fence more than twice, his desire to get out is greater than his concern for the correction of the fence. To solve this break out problem you can either turn off the transmitter or take off his Dog Guard receiver collar. This will allow the dog to come back through the perimeter without getting shocked. Put the collar back on the dog once he's inside his boundary.

If your dog acts like he doesn't feel the correction it is for one of two reasons. Either his collar is too loose, or there is too much hair between the probes and his skin. In both cases he will not feel any correction. To remedy this, try adjusting the collar. If that doesn't work, try trimming the hair directly beneath the probes.

If you have a dog that runs through the fence more than three times, call your dealer immediately. Adjustments may have to be made in either the receiver or the field. Please call your dealer before attempting to make any changes to your transmitter settings.

Proper Receiver Placement



To ensure a consistent signal, the dog's collar must be secured as illustrated above. To do this, make sure the probes are closest to the dog's chest so that the receiver hangs down at a slight angle.

*** It is important to periodically check the size and fit of your pet's nylon collar.** As he grows, the collar's size will have to be adjusted to provide a secure, comfortable fit.

Taking Your Dog for a Walk - Three Proven Methods

In all three methods you must take the dog's receiver collar off. If you don't take the collar off and you enter the correction zone of a house that has a Dog Guard fence, your dog will get a correction. **It is important that you remove the collar instead of turning the fence off at the transmitter.**

Method 1 - The Carry

Simply pick your dog up and carry him through the perimeter. Please only use this if you have a small dog and you can safely lift and carry him. Put the dog down once you have generously passed the barrier. Use the same maneuver when returning through the fence.

Method 2 - The Drive

Put your dog in the car and drive through. Much like the pick up method, but a little less strenuous for large hound owners.

Method 3 – Begin at the Beginning

From the day your fence is installed, follow the same route when taking your pet out of the yard, making sure to leave and enter the yard in the same spot each time. If this is done consistently before and during training, your pet will associate you, the leash, and the route as a safe means of leaving the yard.

Your Dog Guard System

For your records, please complete the following reference sheet with information about your Dog Guard system. If you need to contact your Dog Guard dealer with any questions about the installation or service of your system, or about training your pet, you will have the necessary information right at your fingertips.

If you purchased this system directly from the manufacturer, please call toll-free: 1-800-865-0495. Dog Guard's technicians will assist you with any questions you might have.

Dog Guard Dealer's Name: _____

Address: _____ Phone _____

Date System Purchased _____ Date Installed _____

Receiver Serial # & CM # _____

Transmitter Serial Number _____

Transmitter Type (check one) 7K _____ 10K _____

Date 1st battery installed _____ (*Replace your battery every 4 months*)

Date Training Begun _____

Training Notes: _____

Notes

Notes

Notes